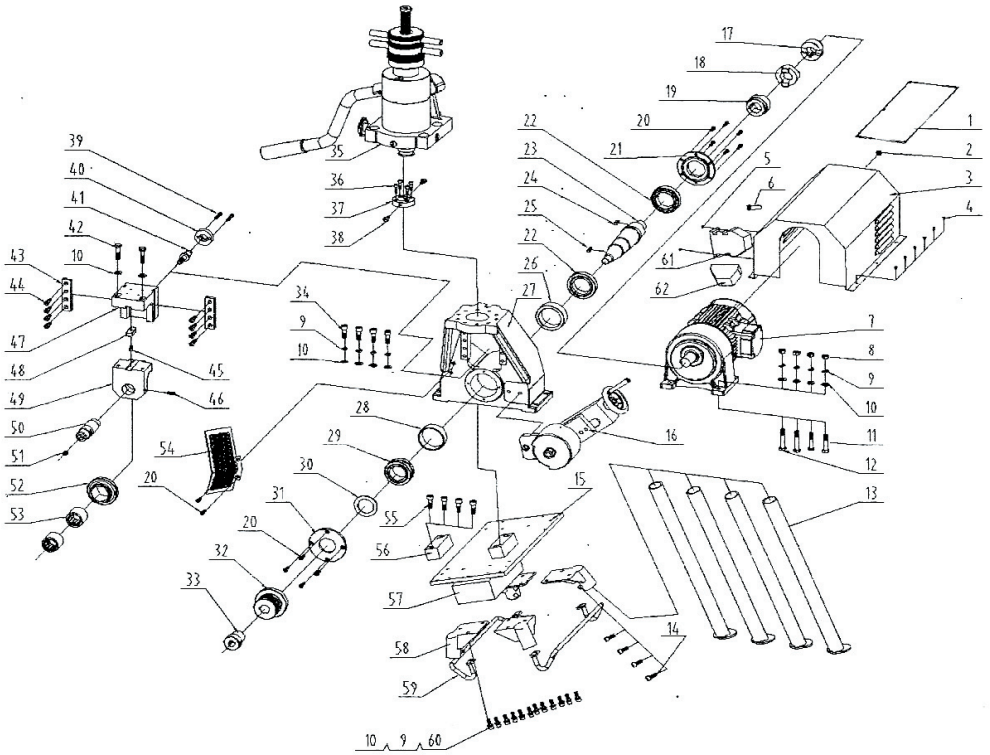


SPARE PARTS

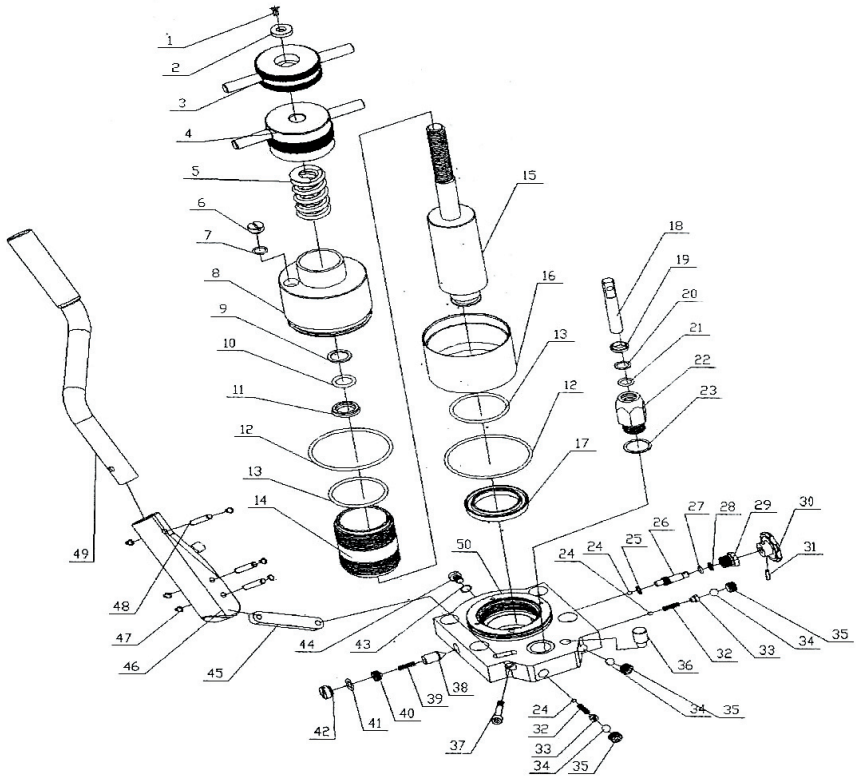


SPARE PARTS

S/N	Name	Code
1	Nameplate	8873001
2	Loop	8873002
3	Safety cover	8873003
4	Slotting screw M5x8	8873004
5	Slotting screw M5x16	8873005
6	Cable quick connector	8873006
7	Reduction motor 750W	8873007
8	Hexagonal nut C level M10	8873008
9	Spring washer 10	8873009
10	Flat washer A level 10	8873010
11	Bolt M10x60	8873011
12	Bolt M10x75	8873012
13	Support foot	8873013
14	Hexagonal screw M10x25	8873014
15	Base	8873015
16	Jockey pulley holder assembly	8873016
17	Electric link	8873017
18	Intermediate link	8873018
19	Shaft link	8873019
20	Hexagonal screw M6x12	8873020
21	Rear cover	8873021
22	Roller bearing 32010	8873022
23	Main shaft	8873023
24	Flat key 8x25	8873024
25	Flat key 6x30	8873025
26	Bushing ø80	8873026
27	United head	8873027
28	Bushing ø75	8873028
29	Needle bearing 4074109	8873029
30	Plane needle bearing 889109	8873030
31	Fore cover	8873031
32	Knurl wheel	8873032
33	Main shaft fastening nut	8873033
34	Hexagonal screw M10x35	8873034

S/N	Name	Code
35	Oil pump assembly	8873035
36	Hexagonal screw M5x16	8873036
38	Piston fixed ring screw	8873038
39	Hexagonal screw M6x30	8873039
40	Screw fixed ring	8873040
41	Adjust screw	8873041
42	Hexagonal head tap bolt M10x45	8873042
43	Guide rail bar	8873043
44	Hexagonal screw M10x20	8873044
45	Hexagonal screw M5x10	8873045
46	Hexagonal fasten screw M10x30	8873046
47	Slide	8873047
48	Feather key	8873048
49	Roller frame	8873049
50	Pinch roller shaft	8873050
51	Oil cup M10x1	8873051
52	Pinch roller	8873052
53	Needle bearing 4084105	8873053
54	Power hearing safety cover	8873054
55	Hexagonal screw M10x50	8873055
56	Booster bloosk	8873056
57	Tool box	8873057
58	Platform support blok	8873058
59	Grip	8873059
60	Hexagonal screw M10x25	8873060
61	AC contraltor	8873061
62	Thermal protector	8873062
63	Foot switch	8873063

SPARE PARTS

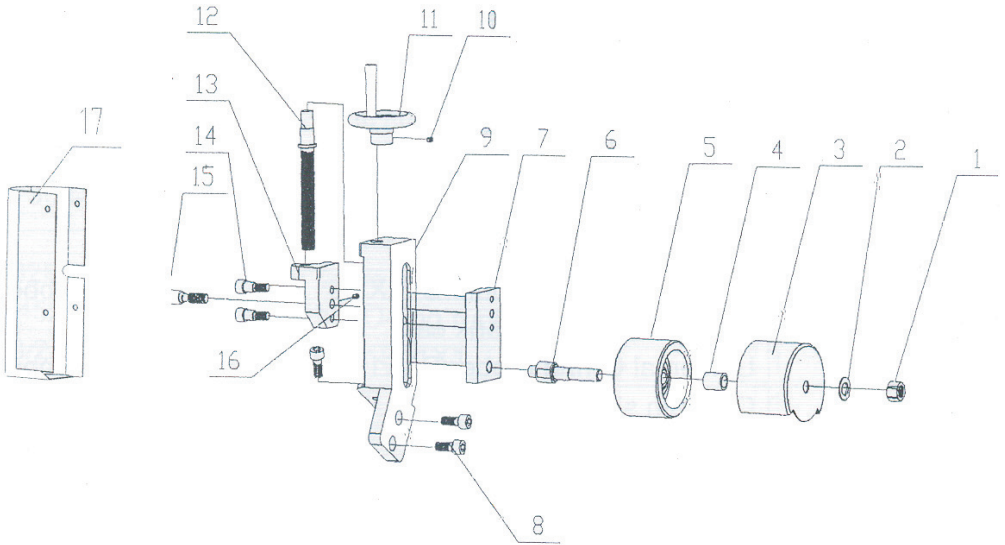


SPARE PARTS

S/N	Name	Code
1	Cross slot countersuhr head screw M5x10	8873201
2	Bead flange	8873202
3	Limit locking nut	8873203
4	Limit mut	8873204
5	Big spring	8873205
6	Safety valve bulk head	8873206
7	Universal O-ring rubber D15X1.9	8873207
8	Cylinder cover	8873208
9	Fore cover 24X1.5	8873209
10	Universal O-ring rubber D24x2.4	8873210
11	Y-type piston ring d22XD28X5.5	8873211
12	Universal O-ring rubber D85x3.1	8873212
13	Universal O-ring rubber D60X3.5	8873213
14	Cylinder	8873214
15	Limit piston	8873215
16	Tank	8873216
17	Y-type piston ring Und48X63X10	8873217
18	Small piston ring	8873218
19	Scraper seal	8873219
20	Fore cover D16X1	8873220
21	Viton O-ring 16X2.4	8873221
22	Hexagonal cylinder cover	8873222
23	Copper backing ø28X ø22X1mm	8873223
24	Steel ball ø6	8873224
25	Cooper backing ø12Xø7X1mm	8873225
26	Relier valve screw	8873226
27	Universal O-ring rubber D11X1.9	8873227
28	Fore cover D11X1	8873228
29	Relief valve nut	8873229
30	Relief valve handle	8873230
31	Elastic cylindrical pin ø3X20	8873231
32	Oil outlet valve spring	8873232
33	Cylinder clamping screw sets	8873233
34	Steel ball ø9	8873234

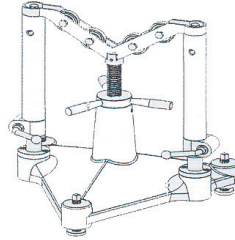
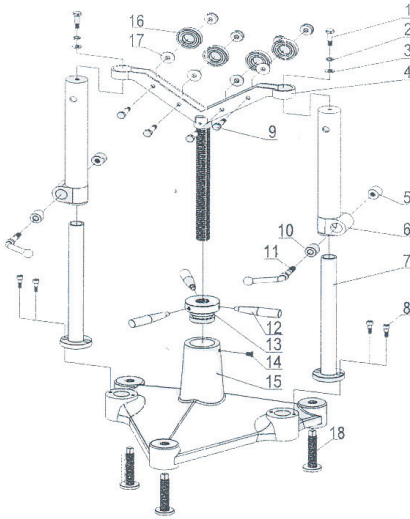
S/N	Name	Code
35	The new oil pump screw	8873235
36	Handle limit nails	8873236
37	Hexagonal screw M6x30	8873237
38	New cone valve	8873238
39	New safety valve spring	8873239
40	New safety valve screw	8873240
41	Universal O-ring rubber D10x1.9	8873241
42	New safety valve blank cap	8873242
43	Universal O-ring rubber D8X1.9	8873243
44	Oil drain steeper	8873244
45	Connecting plate	8873245
46	Handle seat	8873246
47	Shaft circlip	8873247
48	Pin roll	8873248
49	Handle	8873249
50	Pump body	8873250

SPARE PARTS



S/N	Name	Code
1	Outler hexagonal nut M14	8873301
2	Plain washer C- \varnothing 14	8873302
3	Guide roller safety cover	8873303
4	Gasket	8873304
5	Guide roller	8873305
6	Guide roller shaft	8873306
7	Guide block	8873307
8	Hexagonal screw M10x20	8873308
9	Roller frame	8873309
10	Hexagon socketset with cone M6x8	8873310
11	Handwheel	8873311
12	Nut M14	8873312
13	Screw slider	8873313
14	Hexagonal screw M8x35	8873314
15	Knurling locking screw	8873315
16	Hexagon socketset screws with cone M5x8	8873316
17	Cover	8873317

SPARE PARTS



S/N	Name	Code
1	Hexagonal bolt M10x25	8873101
2	Spring washer 10	8873102
3	Flat washer A level 10	8873103
4	Triangle bracket	8873104
5	Stopping block A	8873105
6	Bracket pipe	8873106
7	Guide column	8873107
8	Hexangular bolt M8x20	8873108
9	Bolt M10x30	8873109
10	Stopping block B	8873110
11	Tighten screw	8873111
12	Adjust screw cap	8873112
13	Handle	8873113
14	C-type cross screw M8x10	8873114
15	Triangle bracket base	8873115
16	Bearing 6205	8873116
17	Bearing retainer ring	8873117
18	Chock	8873118